

# PRODUCT INFORMATION PACKET

Model No: 048A11T2022  
Catalog No: X028  
1/3,1075,TENV,48Y,1/60/115/230  
Single Phase



Regal and Marathon are trademarks of Regal Beloit Corporation or one of its affiliated companies.  
©2018 Regal Beloit Corporation, All Rights Reserved. MC017097E



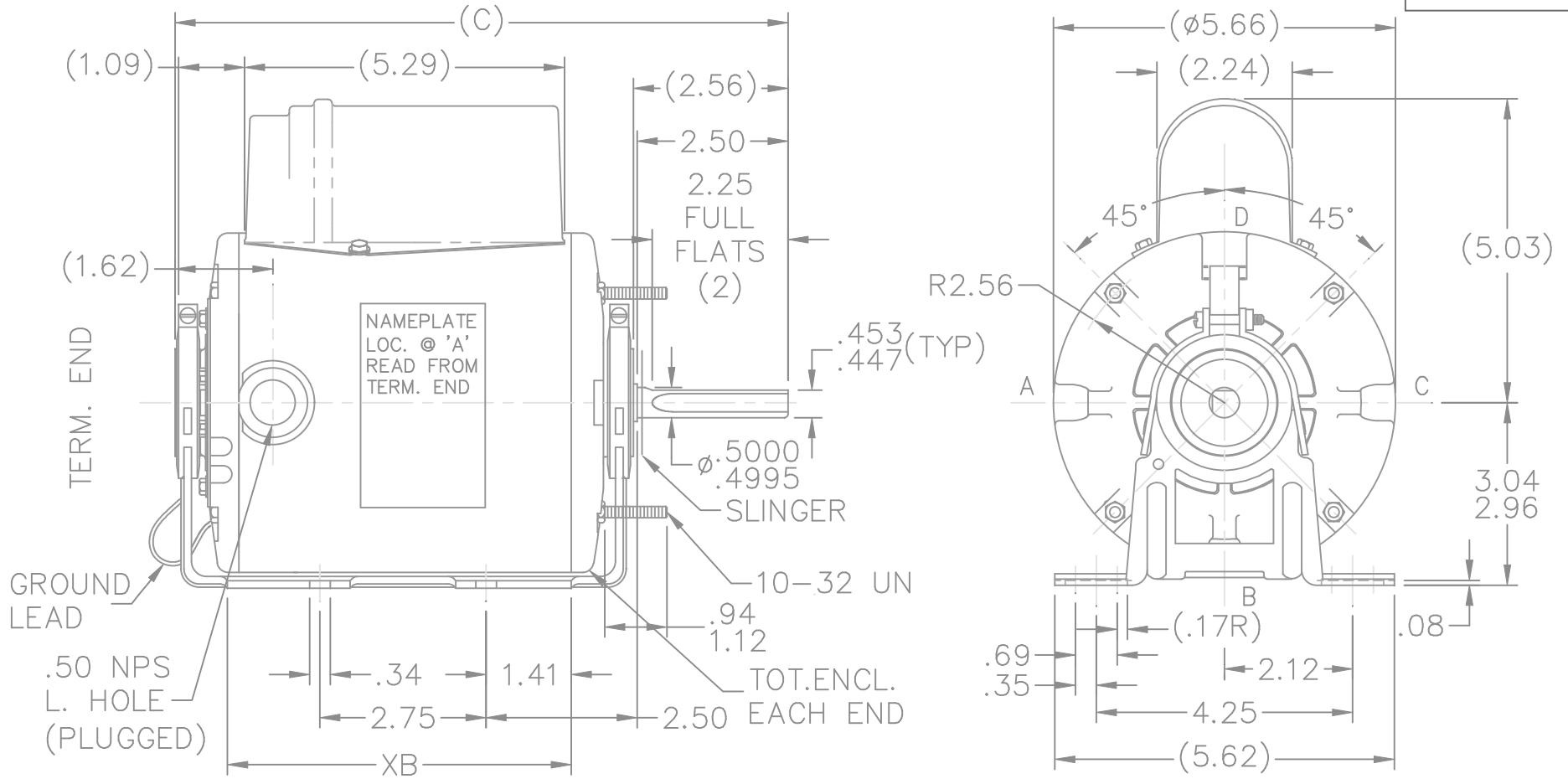
**Nameplate Specifications**

|                            |                                  |                        |                                  |
|----------------------------|----------------------------------|------------------------|----------------------------------|
| Output HP                  | <b>0.33 Hp</b>                   | Output KW              | <b>0.25 kW</b>                   |
| Frequency                  | <b>60 Hz</b>                     | Voltage                | <b>115/230 V</b>                 |
| Current                    | <b>4.2/2.1 A</b>                 | Speed                  | <b>1075 rpm</b>                  |
| Service Factor             | <b>1</b>                         | Phase                  | <b>1</b>                         |
| Efficiency                 | <b>68 %</b>                      | Duty                   | <b>Continuous</b>                |
| Insulation Class           | <b>B</b>                         | Design Code            | <b>NO DESIGN CODE</b>            |
| KVA Code                   | <b>B</b>                         | Frame                  | <b>48Y</b>                       |
| Enclosure                  | <b>Totally Enclosed Air Over</b> | Overload Protector     | <b>Automatic Lock Rotor Only</b> |
| Ambient Temperature        | <b>40 °C</b>                     | Drive End Bearing Size | <b>6203</b>                      |
| Opp Drive End Bearing Size | <b>6203</b>                      | UL                     | <b>Recognized</b>                |
| CSA                        | <b>Y</b>                         | CE                     | <b>N</b>                         |
| IP Code                    | <b>43</b>                        |                        |                                  |

**Technical Specifications**

|                       |                                  |                       |                                   |
|-----------------------|----------------------------------|-----------------------|-----------------------------------|
| Electrical Type       | <b>Permanent Split Capacitor</b> | Starting Method       | <b>Across The Line</b>            |
| Poles                 | <b>6</b>                         | Rotation              | <b>Selective Counterclockwise</b> |
| Mounting              | <b>Round - Extended Studs</b>    | Motor Orientation     | <b>Horizontal</b>                 |
| Drive End Bearing     | <b>Ball</b>                      | Opp Drive End Bearing | <b>Ball</b>                       |
| Frame Material        | <b>Rolled Steel</b>              | Shaft Type            | <b>Single Special Extension</b>   |
| Overall Length        | <b>10.84 in</b>                  | Frame Length          | <b>6.25 in</b>                    |
| Shaft Diameter        | <b>0.500 in</b>                  | Shaft Extension       | <b>2.56 in</b>                    |
| Assembly/Box Mounting | <b>F1 Only</b>                   |                       |                                   |
| Outline Drawing       | <b>A-SS75967-625</b>             | Connection Diagram    | <b>A-EE9057AH</b>                 |

**This is an uncontrolled document once printed or downloaded and is subject to change without notice. Date Created: 10/08/2018**



| DASH | FR | XB   | C     |
|------|----|------|-------|
| 550  | 48 | 5.69 | 10.09 |
| 625  | 48 | 6.44 | 10.84 |

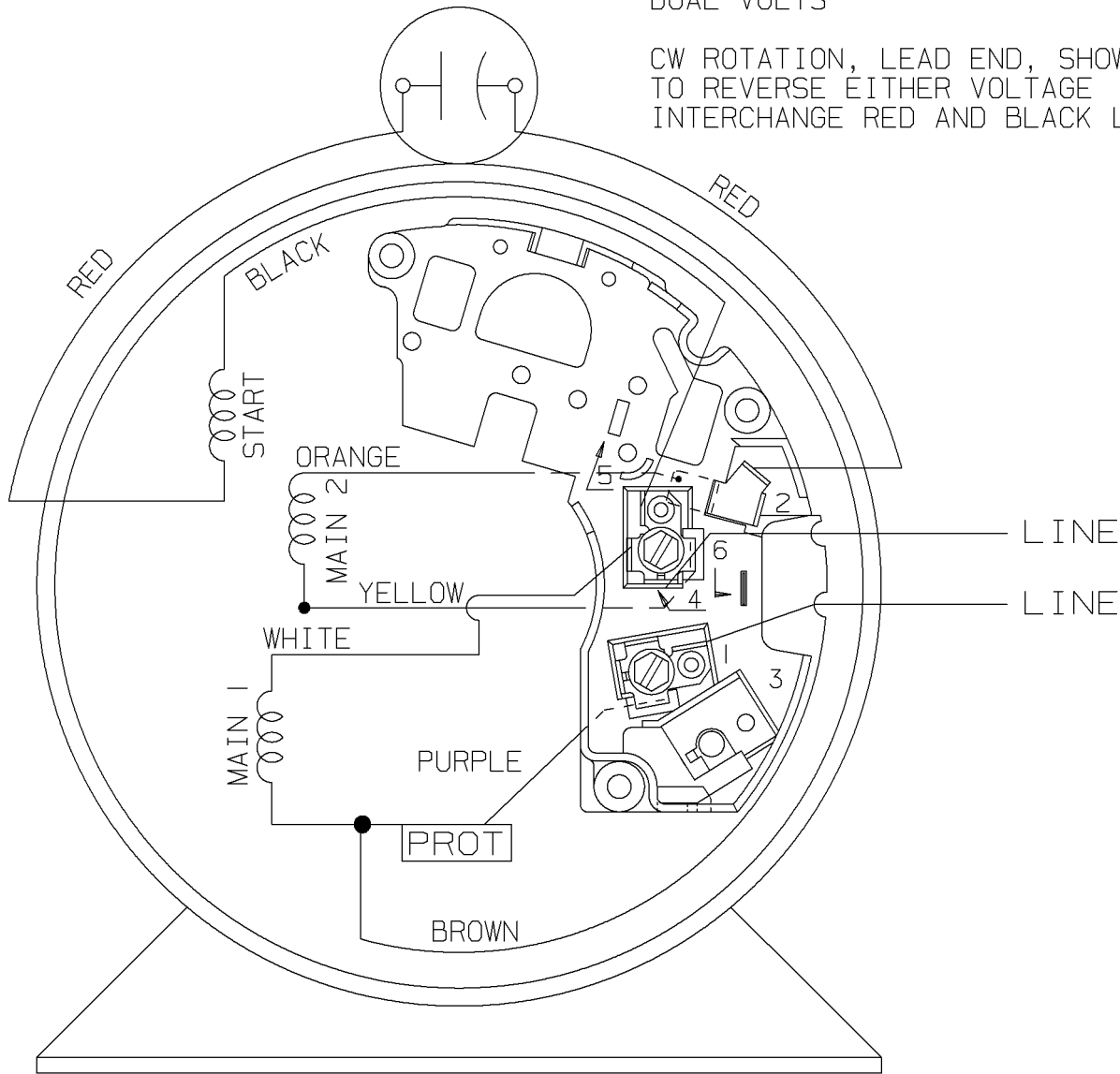
TOTALLY ENCLOSED MOTOR  
FULLY GASKETED

|  |                     |  |                | TOLERANCES UNLESS SPECIFIED |                  | MARATHON ELECTRIC | DRAWN DD 01-14-1994 |               |      |    |      |
|--|---------------------|--|----------------|-----------------------------|------------------|-------------------|---------------------|---------------|------|----|------|
|  |                     |  |                | DEC.                        | INCHES           |                   | CHK                 | ML 01-17-1994 |      |    |      |
|  |                     |  |                | .X                          | ±.1              | TITLE OUTLINE     | APPD SHT 01-17-1994 |               |      |    |      |
| 3  | UPDATED DRAWING     |  | TJW 04/23/2007 | .XX                         | ±.03             |                   | SCALE               | 3=8           |      |    |      |
| 2  | REDRAWN IN AUTOCAD  |  | TAT 05-09-2005 | ML                          | .XXX             |                   | REF                 |               |      |    |      |
| 1  | NEW DRAWING 4109227 |  | DD 01-21-1994  |                             | .XXXX            | MAT'L.            | FMF                 |               |      |    |      |
| NO.  | REVISION            |  | BY & DATE      | CHK                         | ANG              | FINISH            | PREV                |               |      |    |      |
| THIS DRAWING IN DESIGN AND DETAIL IS OUR PROPERTY AND MUST NOT BE USED EXCEPT IN CONNECTION WITH OUR WORK ALL RIGHTS OF DESIGN AND INVENTION ARE RESERVED THIS IS AN ELECTRONICALLY GENERATED DOCUMENT - DO NOT SCALE THIS PRINT |                     |  |                | RFP                         | CAD FILE ss75967 |                   | SIZE                | DRAWING NO.   | PAGE | OF | REV. |
|  |                     |  |                | DIST                        | WP               |                   | A                   | SS75967       |      |    | 3    |

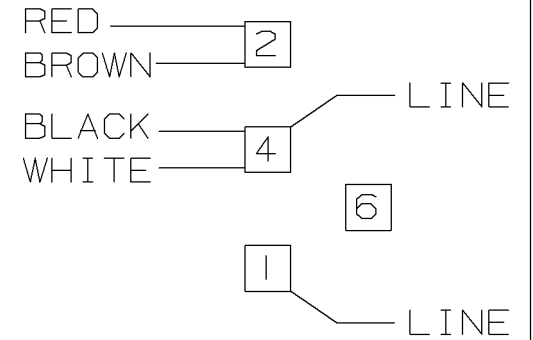
DUAL VOLTS

A- EE9057AH

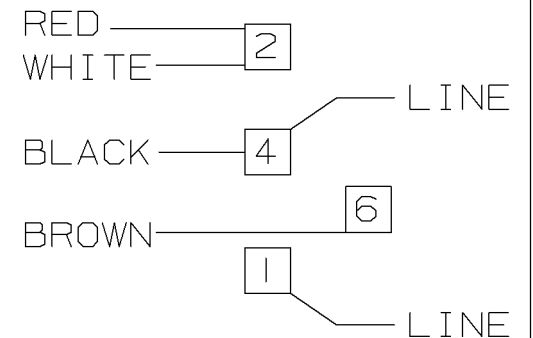
CW ROTATION, LEAD END, SHOWN  
TO REVERSE EITHER VOLTAGE  
INTERCHANGE RED AND BLACK LEADS.



LOW VOLTAGE



HIGH VOLTAGE



VIEW OF TERMINAL END

|     |            |             |  |  |   |  |  |                        |
|-----|------------|-------------|--|--|---|--|--|------------------------|
|     |            |             |  | ✓ MAX. SURFACE ROUGHNESS<br>UNLESS NOTED OTHERWISE | UNLESS OTHERWISE SPECIFIED DIMENSIONS ARE IN INCHES<br>TOL. ON XX±    XXX±.005    XXXX±.0005    ANGLES± |  |  |                        |
|     |            |             |  | MATL SPEC  |   |  |  | DRAWN BY MH 04-03-1998 |
|     |            |             |  | FINISH   |   |  |  | CHKD BY ML 04-06-1998  |
| 1   | 04-17-1998 | NEW DRAWING |  | MH   | WAUSAU, WISCONSIN 54401   |  |  | APPD BY TOM 04-27-1998 |
| REV | DATE       | CHANGE      |  | NAME   | PART NAME CONNECTION DIAGRAM  |  |  | DRWG NO<br>A- EE9057AH |

SHOP BOOK

PURCHASED

DISTRIBUTION - WA - LB - WP - LM - BR

CADD FILE NO.

EE9057AH



